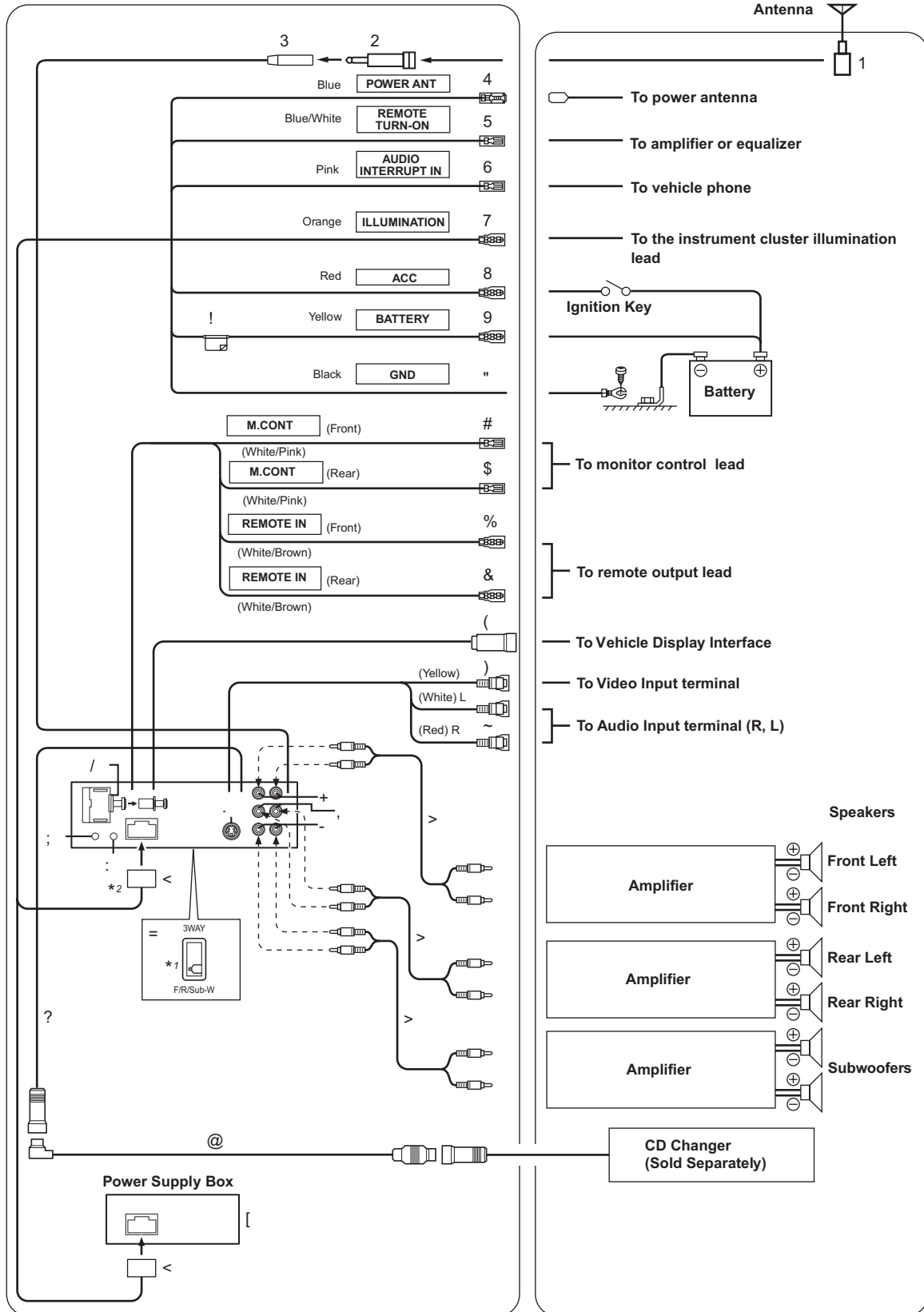


Uputstvo za spajanje auto radija (na engleskom)



*1 The label is attached on the bottom of the unit.
 *2 **Caution about Power cable**
 Use the Power cable supplied with the unit.
 Do not use a Power cable that is not supplied with the unit.